

Highlights

- Integrated structure design: Filter is milled from one solid piece and has no soldered parts, guaranteeing superior electrical performance.
- Lower PIM, lower insertion loss, higher isolation, and higher power handling capacity.
- Differentiated DC block and DC bypass.
- IP66 protection ensures stable performance in any environment.
- Compact design, easy installation.
- Lifetime warranty.



ELECTRICAL SPECIFICATIONS

Models	V3H727-D55 (Indoor)	V3H727-D55P (Outdoor IP66)
Frequency	698–2700MHz	
Intermodulation	≤-155dBc (IMD3 with 2×20W)	
Coupling Attenuation	3.1dB±0.5dB @ 698–800MHz	3.1dB±0.4dB @ 800–2700MHz
Isolation	≥23dB	
VSWR	≤1.22	
Impedance	50Ω	
Power Handling per Port	75w	
DC Bypass/AISG	MAX 2500mA	
MTBF	≥500,000h	

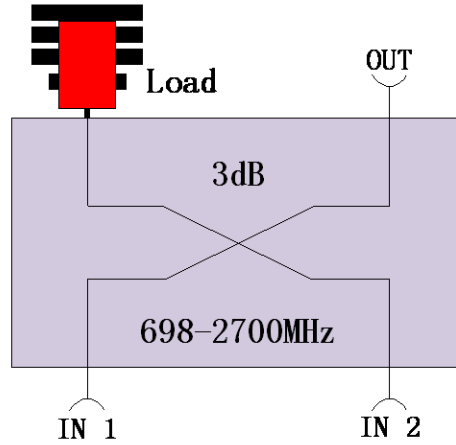
ENVIRONMENT SPECIFICATIONS

Operating Temperature	-20°C to +60°C -4°F to +140°F
Storage Temperature	-40°C to +85°C -40°F to +185°F
Relative Humidity	Up to 95%
Application	Indoor or Outdoor (IP66)

MECHANICAL SPECIFICATIONS

Color	Gray
Connectors	DIN-Female (Long Neck)
Weight	4.2Kg 9.25lb
Dimensions	255*208*99mm 10*8.2*3.9in

Block Diagram



Outline Drawing

